

Arch Handles

Steel

SPECIFICATION

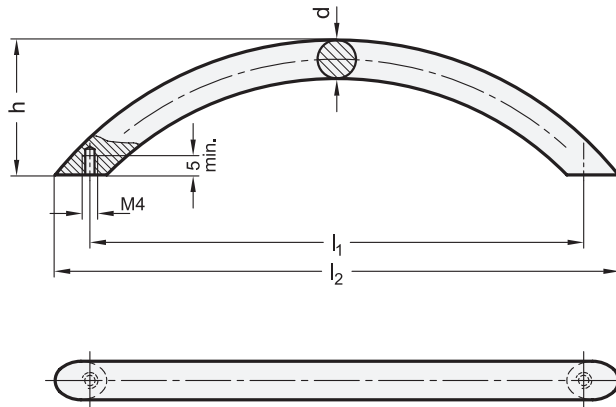
Steel

Plastic coated

- Black, RAL 9005, textured finish **SW**
- Silver, RAL 9006, textured finish **SR**

TECHNICAL INFORMATION

- Load Rating Information (see page)
- Stainless Steel Characteristics (see page A26)



* Complete with

SW SR
 RAL9005 RAL9006

GN 424.1

Description	d	l ₁	l ₂ ≈	h ≈	Δ
GN 424.1-10-64-*	10	64 ±0.25	75	35	59
GN 424.1-10-96-*	10	96 ±0.25	111	35	72
GN 424.1-10-128-*	10	128 ±0.25	146	35	85
GN 424.1-10-160-*	10	160 ±0.25	181	35	100
GN 424.1-10-192-*	10	192 ±0.35	219	35	132

